

# VOYAGE

*Voyage is your high performance, yet subtle, workspace companion. Its linear arms and joints flow gently into a broadened head shade that shields bright LEDs from view. An optional, integrated USB port in the base charges mobile devices. Voyage unites functional ergonomics with timeless aesthetics with its full articulation, extended reach, and dimmable touch technology. **Proudly designed and manufactured in Grand Haven, Michigan.***



VOYAGE



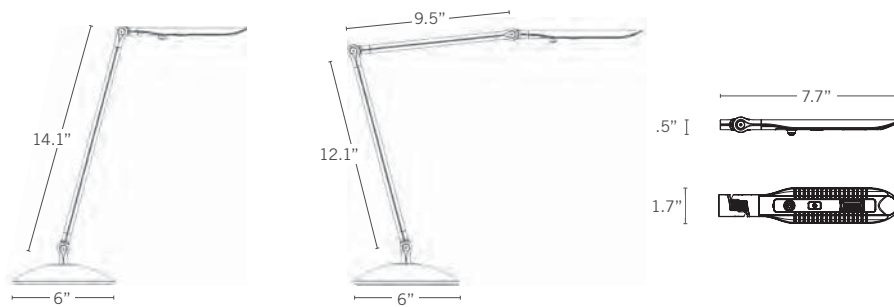
Finishes

White	Porcelain	Pumpkin	Flax	Forest	Spruce
Silver	Punch	Clementine	Clay	Juniper	Marine
Tranquil	Grape	Cayenne	Maize	Teal	Sky
Storm	Merlot	Paprika	Goldenrod	Silver Sage	Gulf
Ash	Raisin	Cranberry	Dijon	Kiwi	Ocean
Black	Eggplant	Currant	Pineapple		



We can also custom color match! Please contact Inside Sales at (800) 526-5658 to learn more.

Dimensions



## VOYAGE

### Features

---

- Choose from single or double arm
- Available in 34 colors and multiple mounting options
- Automatic shut-off after 10 hours
- Continuous dimming from 100%–15% with last state memory
- Optional occupancy sensor available
- Optional USB charging available in freestanding base

### Specifications

---

<b>Power consumption:</b>	7.2 system watts; 13.5 system watts with USB charging option
<b>Color temperature:</b>	3500K
<b>Luminosity:</b>	294 lumens
<b>Efficacy:</b>	41 Lm/W
<b>Color rendering index:</b>	85 CRI
<b>Rated lifespan:</b>	> 50,000 hours
<b>Number of LEDs:</b>	18 fractional LEDs
<b>Cord:</b>	3' quick connect in silver
<b>Power supply:</b>	9' (18W) black cord
<b>USB Charge Port:</b>	5V, 1.2A max., Type A

### Sustainability Notes

---

- Made with fully-recyclable aluminum and plastic
- Energy-saving features such as auto shut-off and dimming included; occupancy sensor available as an option
- Lower power consumption
- Mercury-free
- Potential LEED points: **Interior Lighting** (possible 2 points), **Interior Lighting Controls** (possible 1 point). For more LEED information please visit <https://new.usgbc.org/leed-v41>

### Certifications



ETL listed: compliant to UL 153/8750 & CSA C22.2 No. 250.4; FCC Part 15 Class B; TAA; BAA; CEC Title 20

### Warranty

---

The Voyage fixture is warranted for a period of 10 years. Voyage power supplies are warranted for 5 years.

### California Residents

---



**WARNING:** This product may expose you to chemicals including DEHP and/or lead which are known to the State of California to cause cancer and birth defects or other reproductive harm. For more information, go to [www.P65Warnings.ca.gov](http://www.P65Warnings.ca.gov)

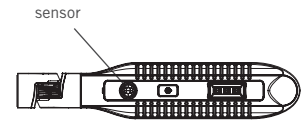
VOYAGE

Photometric Data

Footcandle outputs measured at 15" from the work surface.

	18"	12"	6"	CL	6"	12"	18"
12"	5	9	18	26	21	11	5
6"	7	15	41	64	48	19	7
CL	8	20	59	<b>95</b>	64	24	8
6"	7	15	43	64	45	18	7
12"	4	9	18	25	20	10	4

Options

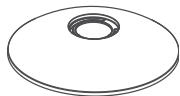


Occupancy Sensor

The occupancy sensor can be integrated into the fixture head to power the fixture off after 30 minutes of inactivity and back on after sensing movement (auto-on/ auto-off).

Mounting Options

All mounting options are fixed to the fixture arm as a theft deterrent feature and are not interchangeable.



Freestanding Base

Allows the fixture to stand in weighted base on top of a flat surface. Weighs 5.5 lbs. 6" diameter.



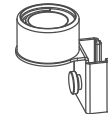
Freestanding Base with USB

Allows the fixture to stand in weighted base on top of a flat surface. Features a built-in Type-A dedicated USB charge port. Weighs 5.5 lbs. 6" diameter.



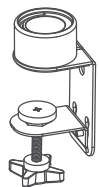
Surface Mount

Allows the fixture to be mounted to a 1.2" thick horizontal surface. A 2.125" hole must be drilled into the work surface.



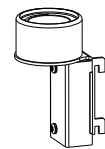
Slat Wall Mount

Allows the fixture to mount into office furniture system panel wall slots. Please call Inside Sales at (800) 526-5658 to specify the furniture system.



Clamp Mount

Allows the fixture to be clamped to the edge of work surfaces of 0.9" – 1.875" thickness.



Panel Mount

Allows the fixture to be mounted to various office furniture system panels. Please call Inside Sales at (800) 526-5658 to specify the furniture system.

VOYAGE

List Prices

CODE	DESCRIPTION	PRICE
Step 1: Select arm		
VLED.S	single arm fixture	\$340
VLED.D	double arm fixture	\$360

CODE	DESCRIPTION	PRICE
Step 2: Select color		
+.ASH	ash finish	\$0
+.BLACK	black finish	\$0
+.CAYENNE	cayenne finish	\$0
+.CLAY	clay finish	\$0
+.CLEMENTINE	clementine finish	\$0
+.CRANBERRY	cranberry finish	\$0
+.CURRANT	currant finish	\$0
+.DIJON	dijon finish	\$0
+.EGGPLANT	eggplant finish	\$0
+.FLAX	flax finish	\$0
+.FOREST	forest finish	\$0
+.GOLDENROD	goldenrod finish	\$0
+.GRAPE	grape finish	\$0
+.GULF	gulf finish	\$0
+.JUNIPER	juniper finish	\$0
+.KIWI	kiwi finish	\$0
+.MAIZE	maize finish	\$0
+.MARINE	marine finish	\$0
+.MERLOT	merlot finish	\$0
+.OCEAN	ocean finish	\$0
+.PAPRIKA	paprika finish	\$0
+.PINEAPPLE	pineapple finish	\$0
+.PORCELAIN	porcelain finish	\$0
+.PUMPKIN	pumpkin finish	\$0
+.PUNCH	punch finish	\$0
+.RAISIN	raisin finish	\$0
+.SILVER	silver finish	\$0
+.SILVERSAGE	silver sage finish	\$0
+.SKY	sky finish	\$0
+.SPRUCE	spruce finish	\$0
+.STORM	storm finish	\$0
+.TEAL	teal finish	\$0
+.TRANQUIL	tranquil finish	\$0
+.WHITE	white finish	\$0

\*\*\* continues on next page \*\*\*

**How to order:**

Specify arm + Color +  
Mounting + Option (if  
applicable)

Example: For a freestanding,  
single arm Voyage in paprika  
finish with occupancy  
sensor, order:

VLED.S.PAPRIKA.FS.OSV

VOYAGE

List Prices

CODE	DESCRIPTION	PRICE
Step 3: Select mounting		
<b>+.FS</b>	freestanding base	\$0
<b>+.FS.USB</b>	freestanding base with USB	\$40
<b>+.SM</b>	surface mount	\$0
<b>+.CM</b>	clamp mount	\$0
<b>+.SW</b>	slat wall mount*	\$0
<b>+.PM</b>	panel mount**	\$0
Step 4: Add options		
<b>+.OSV</b>	occupancy sensor	\$75

\* Please call Inside Sales at (800) 526-5658 to for system mounting availability.

\*\* Please call Inside Sales at (800) 526-5658 to specify furniture system.