



# Professional Grade Worklights

## Gold Series Exclusive Bull Dog Features

- Construction-grade chemical & abrasion resistant outdoor cord
- Chrome-plated, solid steel light guard and tempered glass lens
- Lightweight, high-strength tubular steel construction
- Scratch-resistant powder coated finish
- Shock-resistant double insulated wiring
- 2,000-hour, 500 watt color-correct quartz halogen bulbs included
- Lifetime limited warranty

*Our Lights Meet or Exceed All OSHA Standards & Regulations*

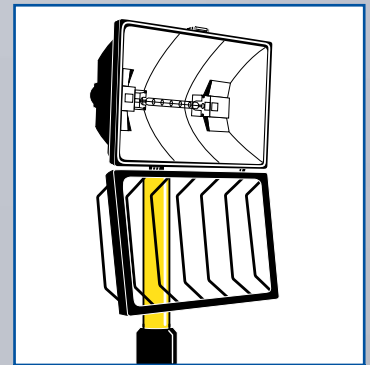


Fixtures Adjust Lighting Angle In Seconds

Lighting Specialties  
(800) 876-2852  
www.lightspc.com



Wide Angle Weatherproof Light Fixtures



Easy-Access Hinged Fixture!



Power Cord Runs Inside The Pole

4' to 8'

Telescopic

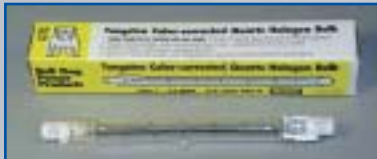
BD-8UD

- Twin 500 W weatherproof fixtures
- Two On/Off switches operate each light independently
- Each fixture is independently adjustable to 240°
- 16 gauge (15') heavy duty cord
- Lights up to 10,000 sq. ft.

Item #: P11025 Watts: 1000 (2 x 500)

Power: 120V-60Hz Amps: 8.4

Ship Weight: 20 lbs

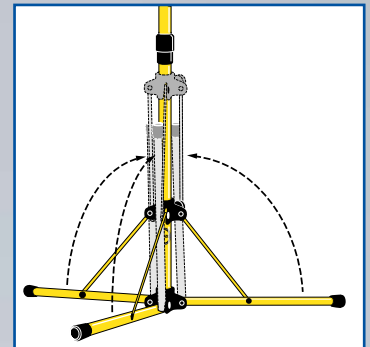


SB 2000 Color Corrected Halogen Bulb

Item #: P11045, Master Pack: 10 units

Industrial strength bulbs, 500 Watt

Shipping Weight: 1 lb



Compact Adjustable Steel Base

Legs Fold Flat For Sandbagging





**4' to 8' Telescopic** **BD-8U**

- 500 Watt weatherproof fixture
- Infinitely adjustable steel base expands to 48"; sandbaggage for added stability
- 15-foot, 16 gauge heavy duty cord
- Lights up to 7,000 sq. ft.

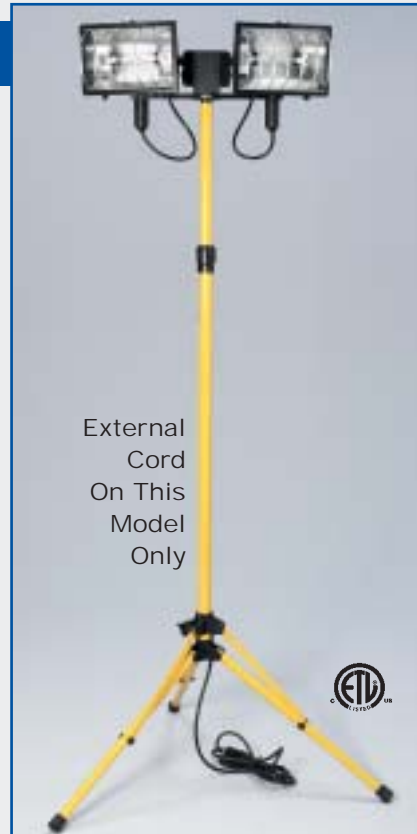
Item #: P11020      Watts: 500  
 Power: 120V-60Hz      Amps: 4.2  
 Shipping Weight: 14 lbs



**3' to 5' Telescopic** **BD-5U**

- 500 Watt weatherproof fixture
- 8-foot, 16 gauge heavy duty cord
- Cord runs through center of pole
- Lights up to 6,000 sq. ft.

Item #: P11018      Watts: 500  
 Power: 120V-60Hz      Amps: 4.2  
 Shipping Weight: 8 lbs



External  
Cord  
On This  
Model  
Only

**4' to 8' Telescopic** **BD-8UND**

- Twin 500 W weatherproof fixtures
- Two On/Off switches allow independent operation of each light
- Integrated foam-grip adjustment arms provide quick, precise control of each light
- Infinitely adjustable steel base expands to 48"; sandbaggage for added stability
- 16 gauge heavy duty cord mounted outside the poles
- Lights up to 10,000 sq. ft.

Item #: P11027      Watts: 1000 (2x 500)  
 Power: 120V-60Hz      Amps: 8.4  
 Shipping Weight: 20 lbs



**BD-Mag**  
Model P11040

**BD-Clamp**  
Model P11005

**Hand-held Lights**

- 500 Watt weatherproof fixture
- 8-foot, 16 gauge heavy duty cord
- **BD-Mag:** Powerful 40-lb pull strength magnet
- **BD-Clamp:** Screw-type clamp mounts light anywhere, great for 1.5" - 3" tubing & scaffolding
- Lights up to 5,000 sq. ft.

Item #: P11040 (BD Mag) • P11005 (BD Clamp)  
 Watts: 500  
 Power: 120V-60Hz      Amps: 4.2  
 Shipping Weight: 5 lbs



Horizontally Mountable

**1' to 3' Telescopic** **BD-3U**

- 500 Watt weatherproof fixture
- Rubber leg tips protect surfaces, provide stability
- Light separates from base; allows you to hang or mount the light in a variety of configurations including horizontal
- 8-foot, 16 gauge heavy duty cord
- Lights up to 6,000 sq. ft.

Item #: P11015      Watts: 500  
 Power: 120V-60Hz      Amps: 4.2  
 Shipping Weight: 7 lbs



**Heavy Duty Floor Model** **BD-1**

- 500 Watt weatherproof fixture
- 8-foot, 16 gauge heavy duty cord
- PVC-coated solid steel base
- Comfortable foam grip
- Lights up to 5,000 sq. ft.

Item #: P11010      Watts: 500  
 Power: 120V-60Hz      Amps: 4.2  
 Shipping Weight: 5 lbs

