

Power Tower™ Series



The Brightest, Most Powerful Bull Dogs!

The ideal light for the big jobs, the Power Towers™ are both versatile and portable. Powerful enough to light up to 6 acres, durable enough for construction sites, portable enough to fit in the trunk of a car!

Dual Power Options:

- 1,000 Watt Models Plug Into Any 15 Amp, 120 Volt Power Source
- 1,500 Watt Models Plug Into Any 20 Amp, 120 Volt Power Source
- 2,000 Watt Models Require a 30 Amp, 120 Volt Power Source

Complies with ANSI Standards incorporated by OSHA regulations



Lighting Specialties
www.lightingspecialties.com
 (800) 876-2852

New Light Head/
 Cross Bar Connection
 to Mast

Continuous Cord
 Connection between
 Light Head and
 Ballast Box

Urethane Spring Mount
 Cushions Bulb and
 Fixture from the Rigors
 of Jobsite Usage



MH 1000WB

1000 W Metal Halide Bulb
 for the Rectangle
 P14000W & P16000W,
 P11000W & P12000W
 Lumen Output: 110,000
 Item #: P100817
 Shipping Weight: 3 lbs

Hand Winch with
 Brake for Easy Set-Up,
 Take-Down and
 Height Adjustment

Uses a Generator or
 Power Outlet

Mast Stanchion Added to
 Front of Base for Storage
 and Transportation

Rubber-Mounted Ballast
 Box has Weatherproof
 On/Off and Larger
 1-Piece Cover for
 Easy Accessibility

Sandbaggageable and
 Lockable



Pneumatic
 Tires

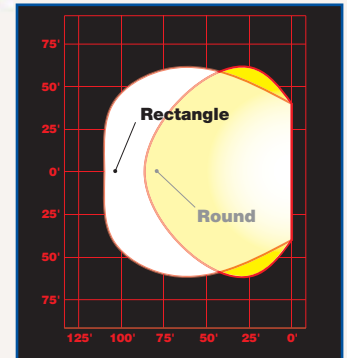
All Components Shipped
 in 1 Carton on 1 Pallet

Brakes Lock
 Unit in Place

Light Head Comes Off for
 Easy Transportation

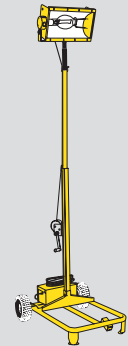
Tempered Glass Lens

10,000 Hour Bulb(s)
 Included



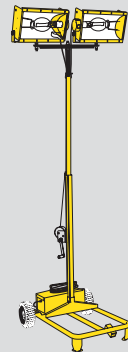
Rectangle Light Head
 Lights 30% More Area!

Extends from 7' - 12.5'!



BDW 1000MH

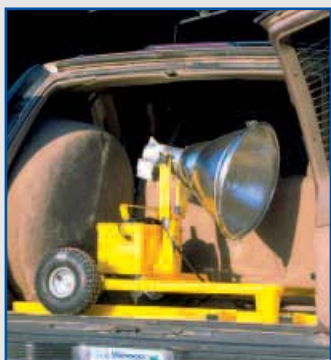
1000 W Metal Halide Light
 Tower with Winch
 Lights up to 109,000 sq. ft.
 Lumen Output: 110,000
 Item #: P14000W
 Power: 120V-60Hz Amps: 9.2
 Shipping Weight: 165 lbs



BDW 2000MH

2000 W Dual Metal Halide
 Light Tower with Winch
 Lights up to 218,000 sq. ft.
 Lumen Output: 220,000
 Item #: P16000W
 Power: 120V-60Hz Amps: 18.4
 Shipping Weight: 200 lbs

Power Towers™ Turn Night Into Day!

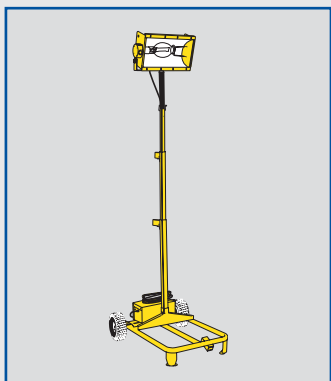


Transports in Any Truck or SUV



Rolls Anywhere—fits through a 32" door!

P11500W Shown

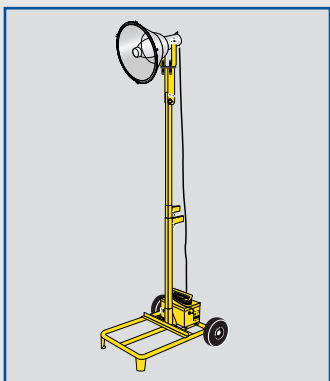


BD 1000MH

1000 W Single Metal Halide Portable Light Cart

Lights up to 109,000 sq. ft.
Lumen Output: 110,000

Item #: P11000W
Power: 120V-60Hz Amps: 9.2
Shipping Weight: 165 lbs

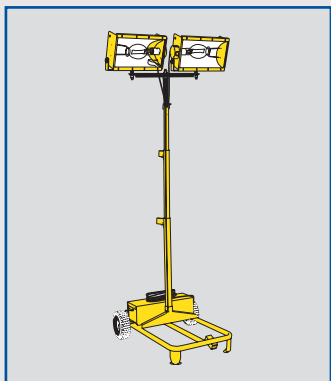


BD 1500MH

1500 W Single Metal Halide Portable Light Cart

Lights up to 123,000 sq. ft.
Lumen Output: 165,000

Item #: P11500W
Power: 120V-60Hz Amps: 14.2
Shipping Weight: 134 lbs



BD 2000MH

2000 W Dual Metal Halide Portable Light Cart

Lights up to 218,000 sq. ft.
Lumen Output: 220,000

Item #: P12000W
Power: 120V-60Hz Amps: 18.4
Shipping Weight: 200 lbs



Metal Halide Bulb

P46001: 1000 W
Lumen Output: 110,000
Use with Round P11000W & P12000W
P46002: 1500 W
Lumen Output: 165,000
Use with P11500W only
Shipping Weight: 3 lbs

Tempered Glass Lens

Light Head Comes Off for Easy Transportation

New Light Head/Cross Bar Connection to Mast

10,000 Hour Bulb(s) Included

Continuous Cord Connection between Light Head and Ballast Box

Urethane Spring Mount Cushions Bulb and Fixture from the Rigors of Jobsite Usage

Steel Mast with Auto-Lock Positioning for Easy Set-Up, Take-Down and Height Adjustment

Uses a Generator or Power Outlet

Sandbaggage and Lockable

All Components Shipped in 1 Carton on 1 Pallet

Rubber-Mounted Ballast Box has Weatherproof On/Off and Larger 1-Piece Cover for Easy Accessibility

Mast Stanchion Added to Front of Base for Storage and Transportation

Brakes Lock Unit in Place

Pneumatic Tires

ETV LISTED US

Shown in Transport Mode

Compact Enough to Go Anywhere! Only 19" High!