

# Waldmann **W**

ENGINEER OF LIGHT.

NORTH AMERICA

ROMA





# ROMA

## SETTING NEW STANDARDS IN ERGONOMIC LIGHTING.

The sleek Roma features a swivel joint designed into the base of the head that permits precise, ergonomic rotation and positioning. The internal spring balanced single and twin vertical arms allow the Roma to be easily moved and directed to specific work areas that need illumination. The twin horizontal arm offers maximum work surface coverage, while the single arm is ideal for smaller work areas. There is a perfect style for any workstation configuration. The aluminized parabolic louver, pioneered

by Waldmann, guides light to your reference area and reduces computer screen glare. The Roma provides comfortable, well directed light that greatly enhances both direct and indirect lighting systems.

### Discover the energy efficient 18-watt compact fluorescent lamp.

This highly efficient lamp is cool to the touch; yet it has the same light (lumen) output as a 100-watt incandescent lamp. It provides 12,000

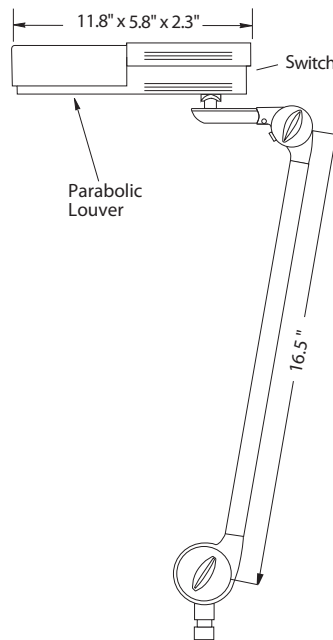
hours of lamp life, a CRI of 82 and a Kelvin temperature of 4100K. Printed tasks will appear vivid and crisp under this light source. An electronic ballast "E" version is also offered for increased energy efficiency.

### Color options for virtually any office environment.

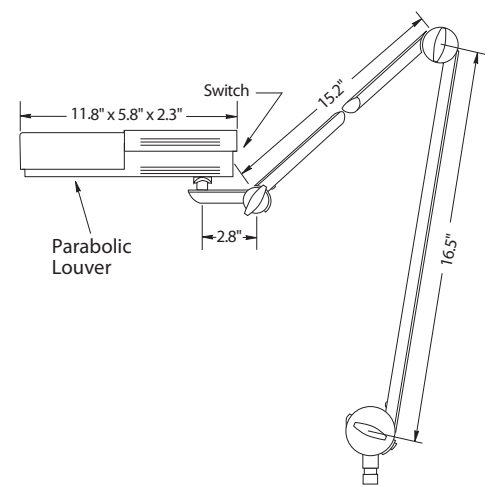
The Roma is available with black or platinum arms with a matching black or platinum inset shade.

Roma Ordering Information				
Roma Electronic Ballast				Mounting Options
Roma Model	Arm color	Head color	Order #	
Single Vertical	Black	Black	118-450-012	Table Clamp 200-498-039
Twin Vertical	Black	Black	138-210-012	Table Clamp (for rounded surfaces) 191-025-069-40
Twin Horizontal	Black	Black	118-370-012	Wall Bracket 308-218-109
Single Vertical	Platinum	Black	118-450-028	Round Table Base 190-186-019
Twin Vertical	Platinum	Black	138-210-028	Rectangular Table Base 190-037-019
Twin Horizontal	Platinum	Black	118-370-028	Single Arm Table Base 190-101-019
<b>Specifications</b> Weight = approx. 3.5 lbs. Power consumption = approx. 20W				Grommet 203-332-019 Panel Bracket (Specify Furniture System)
				<b>Replacement Lamp</b> 18-watt, 4100K (Standard) 450-018-010

**Roma Single Vertical Arm**

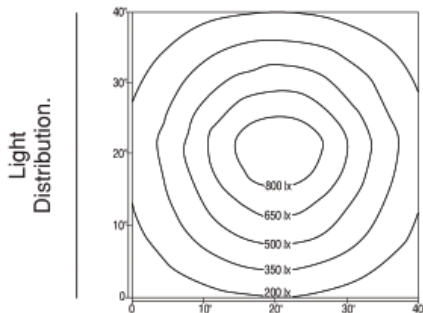


**Roma Twin Vertical Arm**



**FOOTCANDLE LINES OF ILLUMINATION**

All measurements are stated in footcandles



Distance of head to working plane = 20 inches.

**Roma Twin Horizontal Arm**

