



Task Light

# Carelite LED

Sleek, easily positionable, and LED energy saving technology.

Carelite LED has a sleek compact design that makes it perfect for task lighting applications for ambulatory surgery centers, urgent care centers, patient rooms, long term care facilities and other professional settings. Ergonomic positioning handle, dimming, convenient on/off switch and integrated "night-watch" observation light are important features that make this light versatile and easy to operate. From reading to observation and to any task requiring extra light, choose Carelite LED.

## Features

- Integrated "night-watch" observation light allow nurses to subtly check on patients.
- Versatile positioning arm for easy and precise placement.
- Recessed light source inside light head to reduce glare. Patient can use light with reduced disruption to other patients.
- All-metal construction can be cleaned with any detergent or disinfectant.
- Protected by SteriTouch® antimicrobial powder coating to prevent the growth of bacteria, biofilm and mold.
- LED energy efficient source lasts 50,000+ hours with an output of 2000 lux (186 fc) at 24" (0.6 m), 3400\* lx (315 fc) at 18" (0.46 m)



burton®

## Summary of technical data

### CARELITE LED

Illuminance:	2000 Lux (186 fc) @ 24" (0.6 m) 3400 Lux (315 fc) @ 18" (0.46 m)
Color Temperature:	3000 Kelvin
CRI (Color Rendering Index):	>90
Light Source:	Light Emitting Diode (LED)
Rated Life of LED:	50,000+ hours
Power:	9 watts
Dimming:	Smooth Dimming 10-100%
Night Light:	~1%
Input Voltage:	120v 50/60Hz
Product warranty:	5-year limited warranty



Recessed light source inside light head to reduce glare.

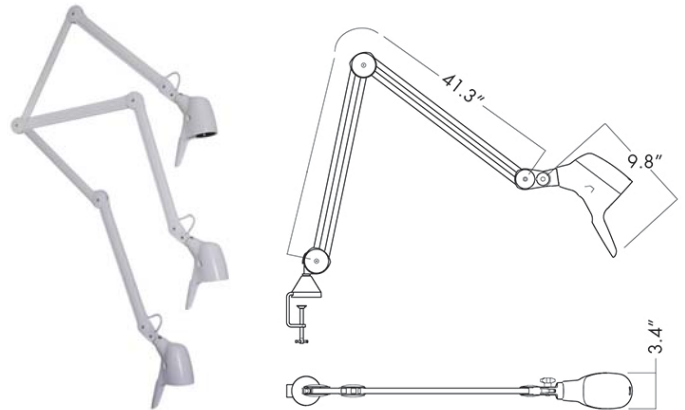


Protected by SteriTouch® antimicrobial powder coating



Dimming and integrated "night-watch" for user comfort and convenience.

## Carelite LED range of motion and general dimensions



## Ordering Information

### CARELITE LED

120v Model	Description
CARLFL	Carelite LED Floor Stand
CARLT	Carelite LED Table Mount
CARLW	Carelite LED Wall Mount



© 2018 Burton Medical. All rights reserved. Burton Medical reserves the right to make changes in specifications and/or to discontinue any product at any time without notice or obligation and will not be liable for any consequences resulting from the use of this publication.

burton®

Lighting Specialties  
www.lightingspecialties.com  
(800) 876-2852