



Magnifier

Epic[®] LED Magnifier

The perfect combination of light quality, positionability and large viewing area.

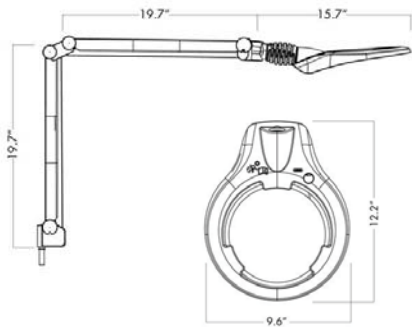
Burton's Epic LED Magnifier has an arm and neck system that is rugged and flexible. It stays exactly where it's positioned and doesn't require tightening or lock mechanism adjustments.

Features

- Large optical viewing area
- Superb light quality; 90 CRI, 4000 Kelvin
- 10-100% dimming capability
- Auto shut-off
- Smooth surface, easy to clean, anti-microbial coating
- Low maintenance LED array
- Medical standards approved
- Available in Floor Stand and Wall/Table Models
- 5-year limited warranty



burton[®]



Magnification Table

| Primary Lens Diopter | Secondary Lens Diopter (optional) | Total Magnification | Total Diopter | Magnification % | Focal Length (in.) |
|----------------------|-----------------------------------|---------------------|---------------|-----------------|--------------------|
| 3.5 | | 1.88X | 3.5 | 188% | 11 |
| 3.5 | 4.0 | 2.88X | 7.5 | 288% | 5 |
| 3.5 | 6.0 | 3.38X | 9.5 | 338% | 4 |
| 3.5 | 10.0 | 4.38X | 13.5 | 438% | 3 |

Summary of technical data

EPIC LED MAGNIFIER

| | |
|------------------------------|---|
| Optics: | 3.5 Diopter (1.88X magnification) |
| Viewing Area Diameter: | 6.5" (16.5 cm) |
| Illuminance: | 1,360 Lux (126 fc) at 8" (20 cm) 3,830 Lux (356 fc) at 11" (28 cm) |
| Color Temperature: | 4000 Kelvin |
| CRI (Color Rendering Index): | 90 |
| Light Source: | Light Emitting Diode (LED) |
| Rated Life of LED | 50,000-hour average rated LED life |
| Power: | 10 Watts |
| Mounting Options: | Mobile Floor Stand, Wall/Table Mount |
| Maximum Arm Reach: | 39" (99 cm) |
| Applications: | General examination |
| Certifications/Approvals: | IEC 60601-1 (SAFETY), EC 60601-1-2, (EMC) |
| Product Warranty: | 5-year limited warranty |

Ordering Information

EPIC LED MAGNIFIER

| Universal Input 100-240v 50/60Hz Model | | Description |
|--|--|--|
| EMLFL | | Epic LED Magnifier, Floor Stand, NEMA 5-15P |
| EMLT | | Epic LED Magnifier, Table Mount, NEMA 5-15P |
| EMLW | | Epic LED Magnifier, Wall Mount, NEMA 5-15P |
| EMLFL01 | | Epic LED Magnifier, Floor Stand, CEE 7/7 |
| EMLFL02 | | Epic LED Magnifier, Floor Stand, AS/NZS 3112 |
| EMLFL03 | | Epic LED Magnifier, Floor Stand, BS1363 |
| EMLT01 | | Epic LED Magnifier, Table Mount, CEE 7/7 |
| EMLT02 | | Epic LED Magnifier, Table Mount, AS/NZS 3112 |
| EMLT03 | | Epic LED Magnifier, Table Mount, BS1363 |
| EMLW01 | | Epic LED Magnifier, Wall Mount, CEE 7/7 |
| EMLW02 | | Epic LED Magnifier, Wall Mount, AS/NZS 3112 |
| EMLW03 | | Epic LED Magnifier, Wall Mount, BS1363 |

ACCESSORIES

| Model | Description |
|---------|----------------------------|
| EML4DS | 4 Diopter Lens Attachment |
| EML6DS | 6 Diopter Lens Attachment |
| EML10DS | 10 Diopter Lens Attachment |

IEC Plug Type



Default (No Code):
NEMA 5-15P

01: CEE 7/7

02: AS/NZS 3112

03: BS1363

Add appropriate Plug Type to the end of the model number.¹

EMLFL 01

Model Plug Type

Example 1: EMLFL for a 100-240v Floor Stand Model with Nema 5-15P Plug.

Example 2: EMLFL01 for a 100-240v Floor Stand Model with SCHUKO CEE 7/7 to C60320C13Plug.

¹100-120v Do not add Plug Type, NO CODE: NEMA 5-15P, 01: CEE 7/7, 02:AS/NZS 3112, 03:BS1363.



© 2018 Burton Medical. All rights reserved.

Burton Medical reserves the right to make changes in specifications and/or to discontinue any product at any time without notice or obligation and will not be liable for any consequences resulting from the use of this publication.

burton®

Lighting Specialties
www.lightingspecialties.com
(800) 876-2852