

## Examination light

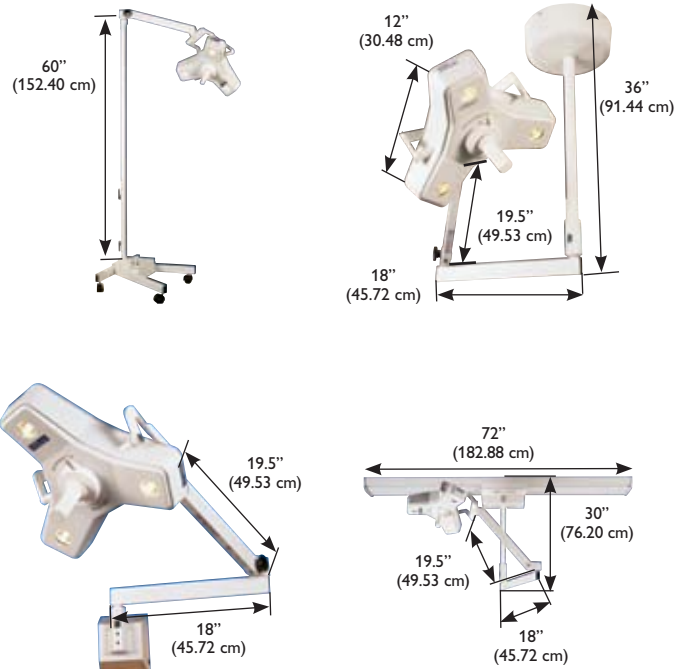
# Outpatient II

The perfect blend of minimal heat output and high color temperature, low-maintenance and top performance.

The Outpatient II is the documented industry leader for examination lights. More physicians choose the Outpatient II than any other light for focusable flood-type light, maximum intensity and shadow-free operation. With minimal heat output and high color temperature, the Outpatient II is the perfect low-maintenance, top performing light for nearly every application in the hospital or physician's office.

### Features

- 86,000 lux (7990 fc) at 24" (61 cm)
- 3300 K color temperature
- CRI (Color Rendering Index) of 94
- Focuses with central removable, autoclavable SteriHandle
- Friction knob allows user to adjust friction on the self-balancing arm positioning to desired tension without a tool
- Cool operation ensured with heat filters and dichroic coatings
- Shadow-free operation provided by three 50-watt halogen bulbs, each with 2000-hour average bulb life
- Bulbs are wired in parallel to ensure continuous operation
- Design allows removal or replacement of SteriHandle with one hand (for ensuring sterile procedures)
- Floorstand units include footswitch, locking casters and cord wrap
- Mounting systems meet California Seismic Codes
- 120V model standard; 230 / 240V models also available
- UL/IEC 60601-1, IEC 60601-1-2, EN/IEC 60601-2-41 and CAN/CSA C22.2 NO. 601.1 M90 certified
- 5-year limited warranty
- Assembled in USA



### Ordering information

120V Model	230/240V Model	230/240V SP Model*	100V Model	Description
OP216FL	OP225FL	O202FL25	OP215FL	Floorstand
OP216SC	OP225SC	O202SC25	OP215SC	Single ceiling mount
OP216DC	OP225DC	O202DC25	OP215DC	Double ceiling mount
OP216W	OP225W	O302W25	OP215W	Wall mount
OP216ST	OP225ST		OP215ST	Single Fastrac mount
OP216DT	OP225DT		OP215DT	Double Fastrac mount
Accessories				
0006130PK				Outpatient II replacement bulbs, 3/box
1008465				Outpatient II handle replacement
0008100PK				Light handle covers, sterile, 25/box
1008259				42" drop tube
1008060				Special length, max. 58" drop tube

\*SP Model refers to Spanish Language Manuals.



## Examination light

# CoolSpot II

The advanced healthcare lighting solution that fits both your space and your budget.

The aesthetically appealing CoolSpot II offers incredibly pure, white light along with a guaranteed no-drift arm, high-intensity setting and variable spot size control. The CoolSpot II offers intensity of up to 60,000 lux (5574 fc) at 1 meter. The CoolSpot II examination light is the spotlight of choice.

### Features

- Up to 60,000 lux (5574 fc) at 1 meter
- 4300 K color temperature
- CRI (Color Rendering Index) of 94
- Bi-level dimmer for variable intensity
- Variable spot size of 2" - 10" (5 cm - 25 cm)
- New, improved and easy to clean housing design with convenient SteriHandle for positioning
- Removable, autoclavable center SteriHandle design allows removal or replacement of SteriHandle with one hand (for ensuring sterile procedures)
- 150-watt halogen bulb provides 600-hour average bulb life on standard setting
- Friction knob allows user to adjust friction on the self-balancing arm positioning to desired tension without a tool
- Mounting systems meet California Seismic Codes
- 120V model standard; 230 / 240V models also available
- UL/IEC 60601-1, IEC 60601-1-2, EN/IEC 60601-2-41 and CAN/CSA C22.2 NO. 601.1 M90 certified
- 5-year limited warranty
- Assembled in USA



### Ordering information

120V Model	230/240V Model	230/240V SP Model*	100V Model	Description
CS316FL	CS325FL	C302FL25	CS315FL	Floorstand
CS316SC	CS325SC	C302SC25	CS315SC	Single ceiling mount
CS316DC	CS325DC	C302DC25	CS315DC	Double ceiling mount
CS316W	CS325W	C302W25	CS315W	Wall mount
CS316ST	CS325ST		CS315ST	Single Fastrac mount
CS316DT	CS325DT		CS315DT	Double Fastrac mount
Accessories				
0007006PK				CoolSpot II replacement bulbs, 3/box
1008466B				CoolSpot II handle replacement
0008100PK				Light handle covers, sterile, 25/box
1008259				42" drop tube
1008060				Special length, max. 58" drop tube

\*SP Model refers to Spanish Language Manuals.

Examination light

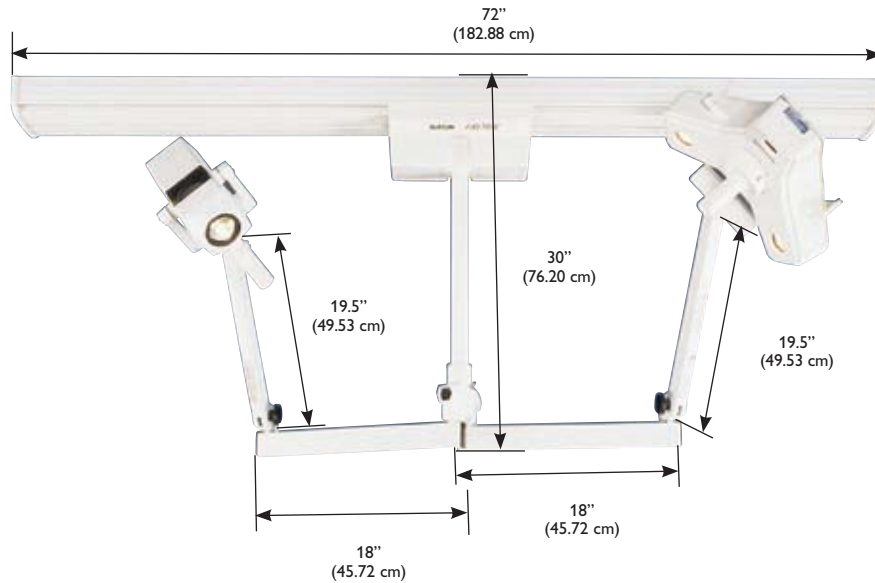
# Outpatient II / CoolSpot II combination models



Note 1: Standard dimensions in inches (centimeters) shown. All ceiling mounts shown on standard 9' (2.74m) ceilings.

Note 2: Standard 30" (76 cm) drop tube is generally acceptable for 9' (2.74m) ceilings. Drop tube can be cut on site if needed. Special lengths can be ordered and are subject to additional charges.

Note 3: The optical data are nominal values based on measurements done according to the UL/ IEC performance standards at 120V at 24"



Ordering information

120V Model	230-240V Model	230-240V SP Model*	100V Model	Description
OC516CC	OC525CC	O202CC25	OC515CC	Combo, ceiling mount
OC516CT	OC525CT		OC515CT	Combo, Fastrac mount
Accessories				
0006130PK				Outpatient II replacement bulbs, 3/box
1008465				Outpatient II handle replacement
0007006PK				CoolSpot II replacement bulbs, 3/box
1008466B				CoolSpot II handle replacement
0008100PK				Light handle covers, sterile, 25/box
1008259				42" drop tube
1008060				Special length, max. 58" drop tube

\*SP Model refers to Spanish Language Manuals.