



Magnifier

Wave LED

A larger viewing area and LED energy saving technology.

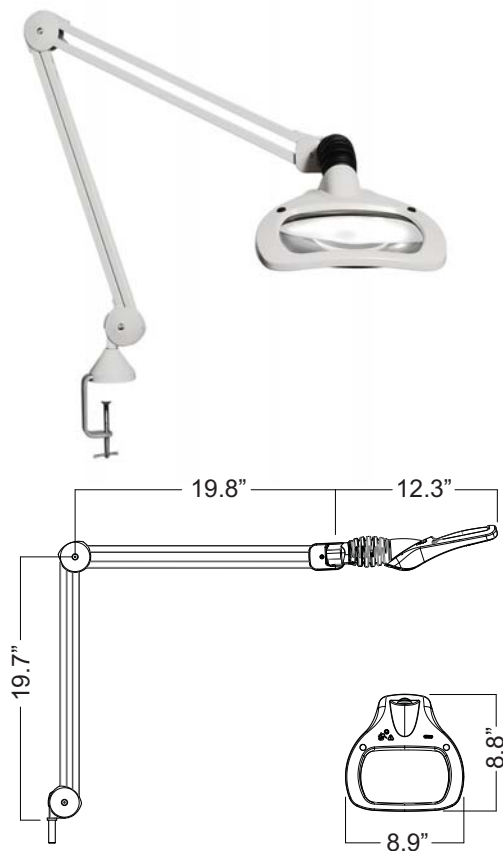
The Wave LED has a new sleek head design to complement any office décor. Offered in a unique and powerful 3.5 diopter magnifier, the Wave LED is superior in both form and function. The dual independent LED light sources offer enhanced performance, as well as a user controlled energy saving option.

Features

- Shadow-free magnification using symmetrical lighting or 3-D magnification using asymmetrical magnification.
- Self-balancing shade and hands-free neck assembly make precise adjustments easy.
- 45" articulating K-arm standard.
- 6.75" x 4.5" rectangular white crown optical-quality glass lens.
- Equipped with two 6W individually controllable LED modules.
- Automatic 9/4 hour auto shut-off feature and (0-50-100%) step dimming to support energy savings.
- No drift spring-balanced arm allows complete freedom of movement.
- Standard table edge clamp mount included. Optional accessories available: surface mount bracket and weighted rolling floor stand.



burton®



Summary of technical data

WAVE LED

Optics:	3.5 (1.88X) Diopter, 6.75" x 4.5" rectangular white crown optical quality glass lens
Focal Length:	11"
Illuminance:	4600 Lux (typical)
Color Temperature:	4000 Kelvin
CRI (Color Rendering Index):	80
Light Source:	Light Emitting Diode (LED)
Rated Life of Light Source:	50,000-hour average LED life
Power:	15 Watts
Dimming:	Step dimming 0 – 50 – 100%
Timer:	9/4 hour auto shut off
Body Material & Color:	Steel arm, die-cast aluminum shade, fully enclosed neck
Arm Technology & Movement:	Heavy duty internal spring 45" parallel three-pivot K-arm
Mounting:	Weighted floor stand, edge clamp or surface mount
Certifications:	UL/cUL listed
Product Warranty:	5-year limited warranty

Ordering Information

WAVE LED MAGNIFIER

Universal Input

120v Model

Model	Description
WML35W45EC120	Wave LED (standard table edge clamp mount included)

Optional Accessories

WMLWFS	Weighted Floor Stand
WMLSMB	Surface Mount Bracket
WML4DS	4 Diopter Lens
WML6DS	6 Diopter Lens
WML10DS	10 Diopter Lens



IEC Plug Type

WMLFL 01

Model

Plug Type¹

Example 1: WMLFL for a 100-240v Floor Stand Model with Nema 5-15P Plug.

Example 2: WMLFL01 for a 100-240v Floor Stand Model with SCHUKO CEE 7/7 to C60320C13Plug.

¹100-120V Do not add Plug Type, NO CODE: NEMA 5-15P, 01: CEE 7/7, 02: AS/NZS 3112, 03: BS1363.



Default (No Code):
NEMA 5-15P

01: CEE 7/7

02: AS/NZS 3112

03: BS1363



© 2018 Burton Medical. All rights reserved.
Burton Medical reserves the right to make changes in specifications and/or to discontinue any product at any time without notice or obligation and will not be liable for any consequences resulting from the use of this publication.

burton®

Lighting Specialties
www.lightingspecialties.com
(800) 876-2852