

## Features

**Heats solid objects, not the air!**



**⚠ WARNING:** This product can expose you to chemicals including nickel which is known to the State of California to cause cancer, and chromium, which is known to the State of California to cause birth defects and/or reproductive harm. For more information go to [www.P65Warnings.ca.gov](http://www.P65Warnings.ca.gov).

- Frosted Quartz Tube heating element (included)
- Listed for suspended, totally exposed (outdoor) and indoor spot heating applications
- Finish: High-temp brown powder coated finish or corrosion resistant stainless steel 24 gauge housing
- 60° Symmetric Heat Pattern
- Gold anodized Aluminum reflector and end caps
- Painted models are direct wire, unless specified and are supplied with 6" lead wires for field connection in the internal wiring compartment. These models are available with a factory installed 6' cord set. The 208V model must have a field supplied plug.
- Stainless steel models include an electrical enclosure assembled to the end of the heater housing and (2) 6" long lead wires for direct field connection.
- Two 2' ft. long mounting chains and four S-Hooks included
- The OCH-Series can be surfaced mounted using the supplied mounting brackets which allow up to a 45° horizontal tilt adjustment.
- Made in U.S.A.

## Product Models

FINISH - BROWN			FINISH - STAINLESS Steel			CONNECTION TYPE	WATTS	BTUs	VOLTS	AMPS	Qtz. Tube Repl. Element	WT. (LBS)							
MFG CATALOG NUMBER	MFG MODEL NUMBER	LIST	MFG CATALOG NUMBER	MFG MODEL NUMBER	LIST														
Includes Electrical Enclosure						Hard Wire	1500	5120	120	12.5	671-3784	10							
04804402	OCH-46-120VE	392	04805202	OCH-46-120V-SSE	460														
04804502	OCH-46-208VE		04805302	OCH-46-208V-SSE															
04804602	OCH-46-240VE		04805402	OCH-46-240V-SSE															
04804702	OCH-46-277VE		04805502	OCH-46-277V-SSE															
04804902	OCH-57-208VE	447	04805702	OCH-57-208V-SSE	509		3000	10239	208	14.4	671-5060	12							
04804802	OCH-57-240VE		04805602	OCH-57-240V-SSE															
04805002	OCH-57-277VE		04805802	OCH-57-277V-SSE															
04805102	OCH-57-480VE		04805902	OCH-57-480V-SSE															
04859702	OCH-46-120VCE	423	---	---	---		Corded	1500	5120	120	12.5	671-3784	11						
04859802	OCH-57-208VCE	497	---	---	---									3000	10239	208	14.4	671-5060	13
04859902	OCH-57-240VCE		---	---	---														

## Product Accessories

MFG CATALOG NUMBER	MFG MODEL NUMBER	DESCRIPTION	FOR USE WITH	WT. (LBS)	LIST
04808802	OCHWG-46	Stainless Steel Wire Guards	OCH-46 Series Models	2	71
04808902	OCHWG-57		OCH-57 Series Models	2	75
08811239	VMB-41-SS	Wall Mtg. Brackets (2)	ALL OCH Models	12	265
04459402	VHC-15	Variable Heat Controller	208/240V OCH Models Only	3	202
04853502	VHC-32	Variable Heat Controller	208/240V OCH Models Only	3	747

## OCH Sizing Chart

MOUNTING HEIGHT	HEATER MFG MODEL	WATTS	HEAT PATTERN COVERAGE (AT FLOOR LEVEL)			TOTAL WATTS / SQ. FT.
			LENGTH	WIDTH	SQ. FT.	
7'	OCH-46	1500	11	9	99	15.2
	OCH-46	2000	11	9	99	20.2
8'	OCH-46	1500	12	10	120	12.5
	OCH-46	2000	12	10	120	16.7
	OCH-57	3000	13	10	130	23.1
	OCH-57	2250	13	10	130	17.3
9'	OCH-46	1500	13	11	143	10.5
	OCH-46	2000	13	11	143	14.0
	OCH-57	3000	14	11	154	19.5
	OCH-57	2250	14	11	154	14.6
10'	OCH-57	3000	15	12	180	16.7
	OCH-57	2250	15	12	180	12.5
12'	OCH-57	3000	17	14	238	12.6
	OCH-57	2250	17	14	238	9.5

## Product Specifications

**Series:**

OCH-46  
OCH-57

**Dimensions:**

Length: 48"; Width: 5.375"; Height: 6.5"  
Length: 59"; Width: 5.375"; Height: 6.5"

**Housing:**

24 gauge Aluminized Steel with a baked on brown powder coat finish. Housing is cETLus Listed for indoor or outdoor applications. Horizontal mounting only.

**Reflectors and End Caps:**

.040 Gold anodized Aluminum reflectors and end caps for superior reflectiveness. 60 degree medium (symmetric) pattern only.

**Elements:**

Quartz Tubes. Frosted quartz envelope with a Nickel-Chromium coiled filament, porcelain end caps, and threaded-screw (stud) terminations. Fast heat-up and cool-down performance. Available Wattages from 1500 to 3000 Watts per element. Available voltages from 120 to 480 Volts.

**Controls:**

OCH Series heaters are not manufactured with any control device on the unit. All controls are accessories and should be specified as such. Please consult the technical sales department of factory for help in determining applicable controls. Please follow installation instructions that accompany each heater.

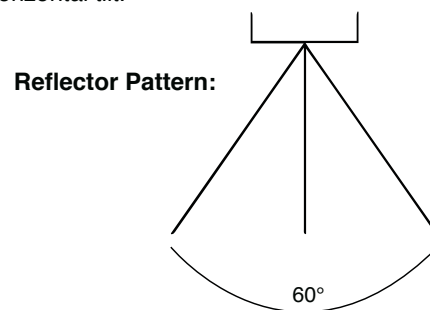
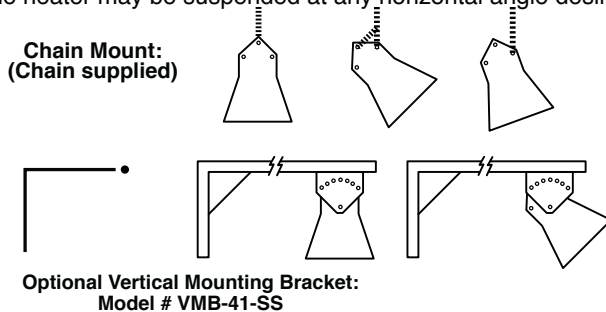
**Accessories:**

Adjustable mounting brackets (stainless steel only), vertical mounting brackets (stainless steel only), wire guards, thermostats, SCR controllers, and power contactor panels.

## Mounting Configurations & Reflector Pattern

**Mounting**

- Chain, surface mount or use our vertical mounting bracket as shown below. Note: All units must be mounted horizontally.
- In-Built surface mounting bracket allows for fixture adjustment up to a 45° horizontal tilt.
- As shown, the heater may be suspended at any horizontal angle desired.



## Mounting Clearances & Recommended Mounting Height

MOUNTING CLEARANCES	RECOMMENDED MOUNTING HEIGHT	
3" from ceiling; 12" from vertical surface 72" from face of heater to combustible surface 36" from another heater	OCH-46	7'-9'
	OCH-57	8'-10'

# OCH2 Series Outdoor / Indoor Rated Quartz Electric Infrared Heater

**NEW PRODUCT  
for 2020**



**Heats solid objects, not the air!**



### Features

- 2 Frosted Quartz Tube heating elements (included)
- Listed for suspended, totally exposed (outdoor) and indoor\*\* spot heating applications
- Finish: High-temp brown powder coated finish or corrosion resistant stainless steel 20 gauge housing
- 75° Symmetric Heat Pattern
- Gold anodized Aluminum reflector and end caps
- 6" long lead wires for direct field connection
- Two 2' ft. long mounting chains and four S-Hooks included
- The OCH2-Series can be wall or ceiling mounted using the supplied mounting brackets which allow up to a 45° horizontal tilt adjustment
- Made in U.S.A.

### Product Models

MFG CATALOG NUMBER	PAINTED BROWN	LIST	MFG CATALOG NUMBER	STAINLESS STEEL	LIST	WATTS	BTUs	VOLTS	AMPS	Qtz. Tube Repl. Element
	MFG MODEL NUMBER			MFG MODEL NUMBER						
04915502	OCH2-55-208V	508	04915902	OCH2-55-208V-SS	623	4000	13652	208	19.23	671-5062
04915602	OCH2-55-240V		04916002	OCH2-55-240V-SS				240	16.67	671-5063
04915702	OCH2-55-277V		04916102	OCH2-55-277V-SS				277	14.44	671-5064
04915802	*OCH2-55-480V		04916202	*OCH2-55-480V-SS				480	8.33	*671-5063
04916302	OCH2-66-208V	563	04916702	OCH2-66-208V-SS	653	6000	20478	208	28.85	671-5065
04916402	OCH2-66-240V		04916802	OCH2-66-240V-SS				240	25	671-5066
04916502	OCH2-66-277V		04916902	OCH2-66-277V-SS				277	21.66	671-5067
04916602	*OCH2-66-480V		04917002	*OCH2-66-480V-SS				480	12.5	*671-5066

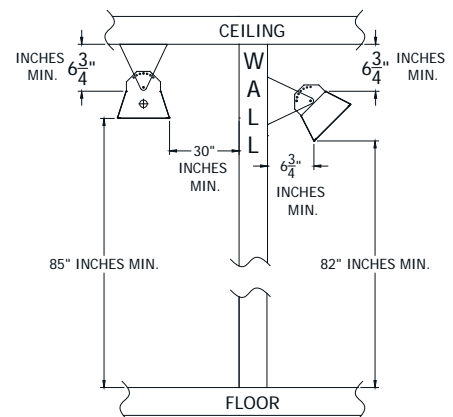
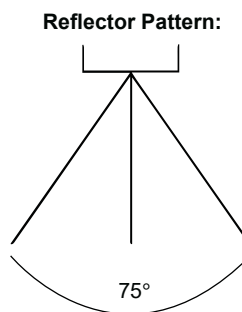
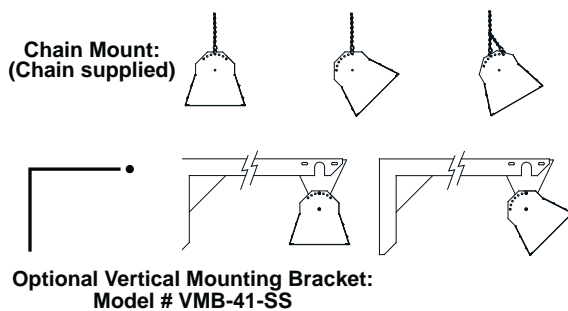
\*480V models use (2) 240V elements wired in series

\*\*Not for residential use

### Mounting Configurations & Reflector Pattern

#### Mounting

- Chain, surface mount or use our vertical mounting bracket as shown below. Note: All units must be mounted horizontally.
- In-Built surface mounting bracket allows for fixture adjustment up to a 45° horizontal tilt.
- As shown, the heater may be suspended at any horizontal angle desired.



### Mounting Clearances & Recommended Mounting Height

MOUNTING CLEARANCES	RECOMMENDED MOUNTING HEIGHT	
6-3/4" from ceiling; 30" from vertical surface 85" from face of heater to combustible surface 36" from another heater	OCH2-55	9'-11'
	OCH2-66	10'-12'